

KEITH
MANUFACTURING CO

Ekono-Lite

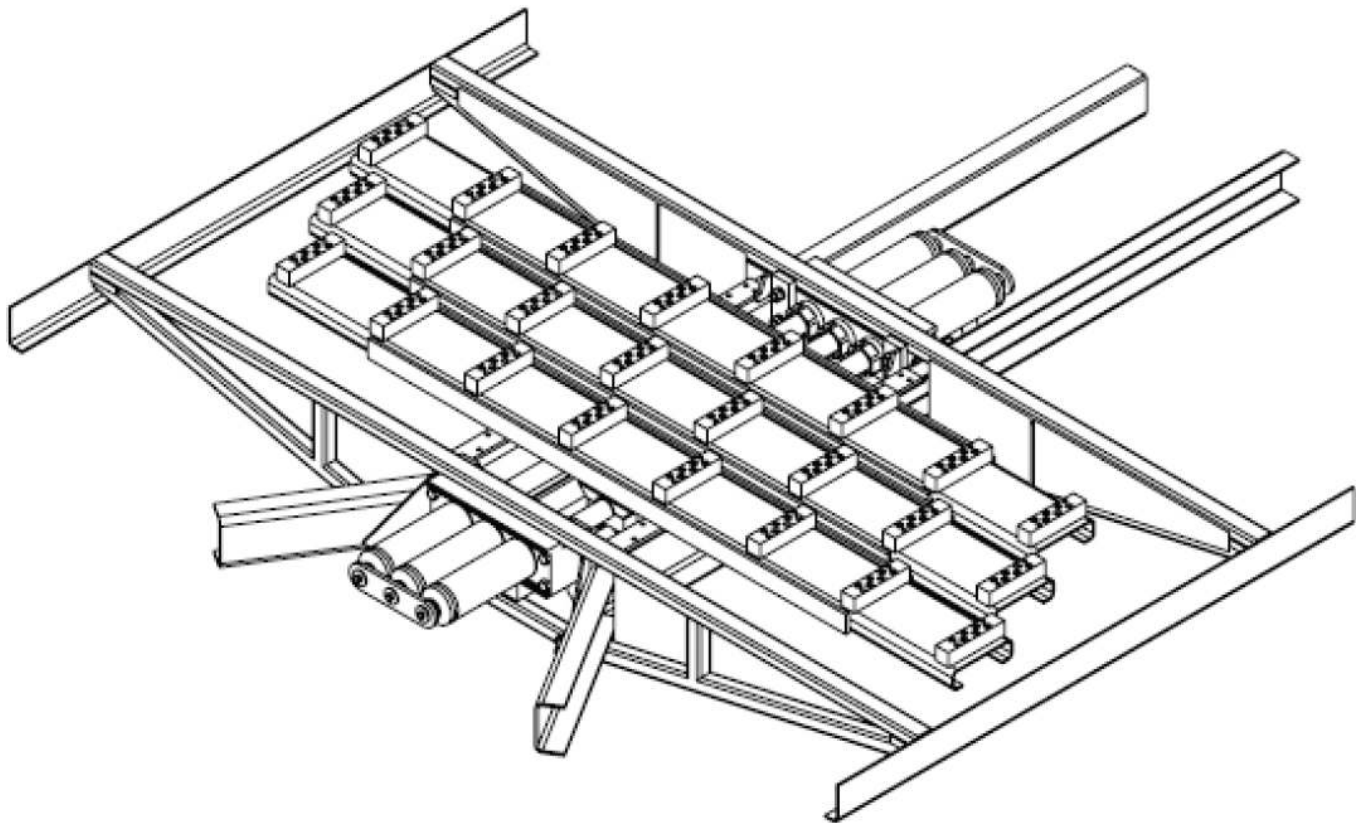
KEITH Manufacturing Co.

www.KeithWalkingFloor.com

World Headquarters

Toll-Free: 800-547-6161

Phone: +1-541-475-3802



PARTS CATALOG

Original Instructions

©2023 KEITH Manufacturing Co. All Rights Reserved. KEITH, KEITH logo and WALKING FLOOR are registered trademarks of KEITH Manufacturing Co. Equipment manufactured by KEITH Manufacturing Co. is protected by numerous patents both domestic and foreign.

Released: 2023-04-20

DOC06426 Rev A

Table of Contents

Contact Information - KEITH Manufacturing Co.	ii
Service Information	ii
Component Location Guide	1
Drive Frame & Related Components	2
Cross-Drive Assembly	3
Cylinder Assembly	4
Load End Control Block	6
Discharge End Control Block	8
Switching Valve Assembly	10
Hydraulic Tubes and Fittings	12
Ball Valve Assembly	14
Front Shield Assembly	15
Floor Components	16

Contact Information - KEITH Manufacturing Co.

World Headquarters - USA

401 NW Adler St.
P.O. Box 1
Madras, OR 97741
Toll-Free: 800-547-6161
Phone: +1-541-475-3802
Email: Sales@KeithWalkingFloor.com

Canada

Brantford, ON
Phone: +1-519-756-9178
Email: CanadaSales@KeithWalkingFloor.com

México

Guadalajara, Jal.
Phone: +52-333-616-5079
Email: KMC_Mexico@KeithWalkingFloor.com

Australia

Waverley Gardens, VIC
Phone: +61-3-9562-2190
Email: AUSales@KeithWalkingFloor.com

Europe Headquarters

Barneveld, The Netherlands
Phone: +31-342-422007
Email: EuroSales@KeithWalkingFloor.com

Not all parts or services available in all regions. Contact your regional office for information on available parts and services.

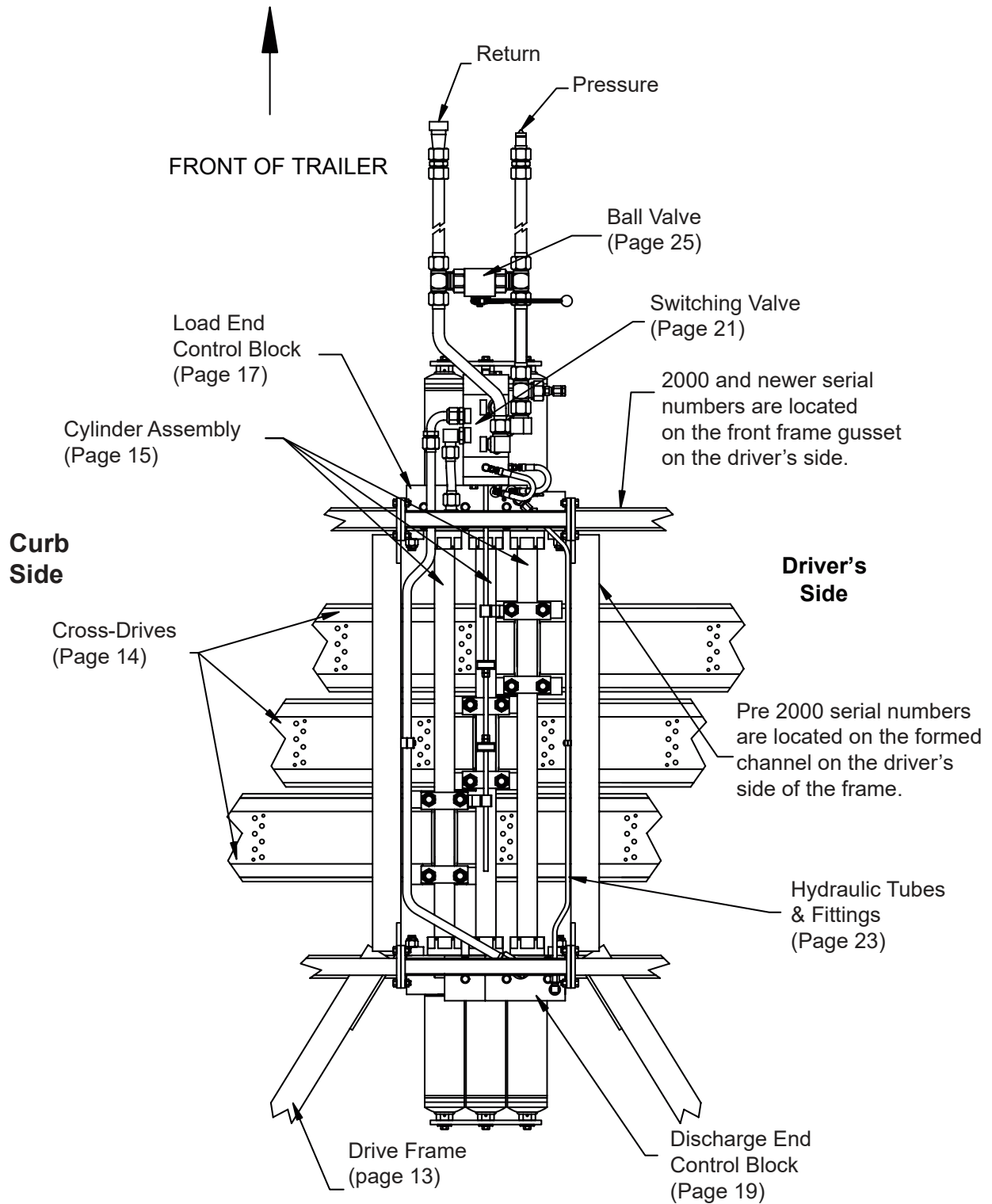
Service Information

- Use hydraulic oil or Vaseline to lubricate seals. Do NOT use grease.
- Do NOT use Teflon tape on any hydraulic components.
- When welding on drive frame, ground specifically to what you are welding on, otherwise it can short across component assemblies damaging seals and gaskets.
- KEITH sells flow meters, pressure testers for troubleshooting and several tools to aid in rebuilding components and drives.

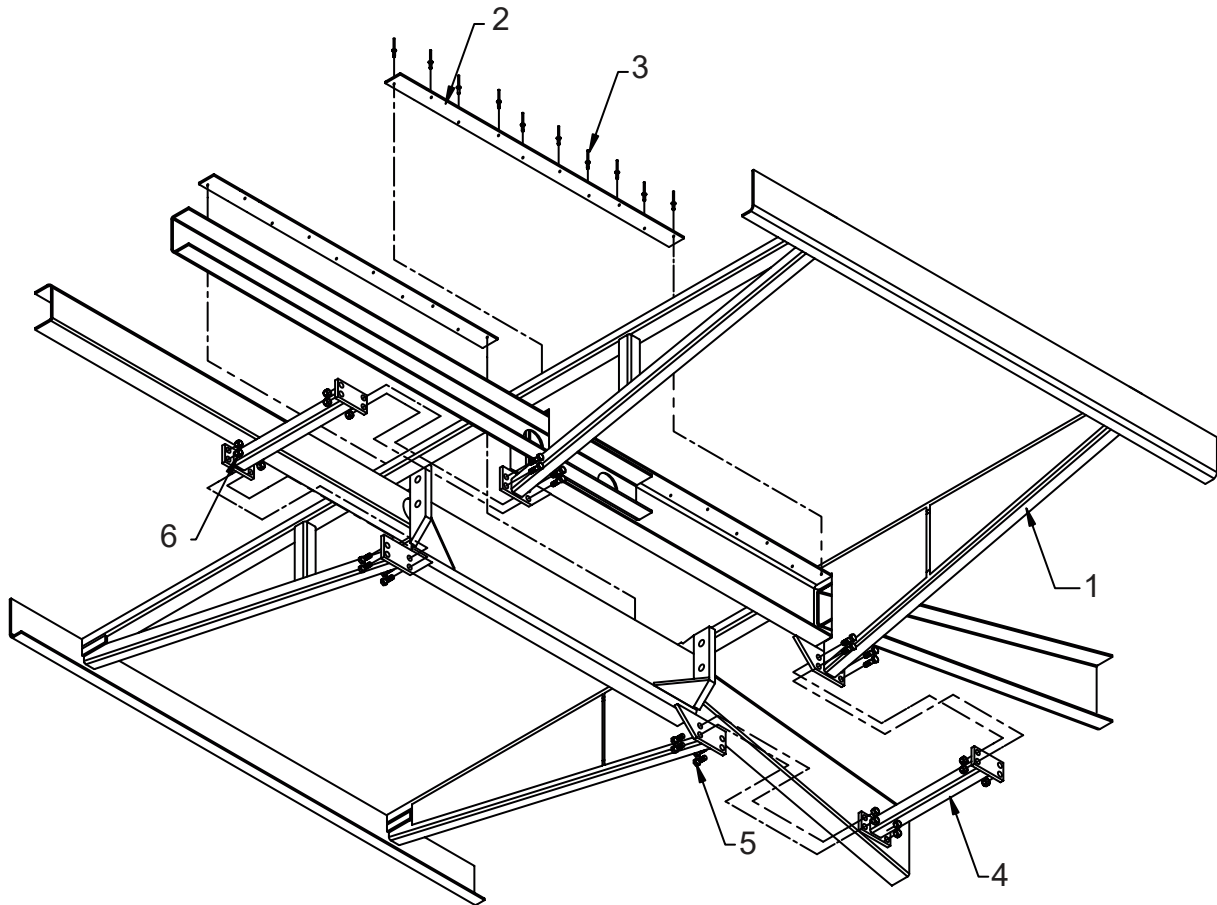
KEITH Mfg. fabricates many standard drive systems, included in this parts catalog, and also fabricates custom drive systems, too numerous to include, therefore KEITH requires the following information from your drive system to ensure we provide you with most accurate information. Please have the following information readily available before contacting KEITH for support:

- Model Number (Located on the Serial Plate of the drive unit)
- Serial Number (Located on the Serial Plate on the drive unit)
- Quantity & length of floor slats
- Vehicle make and unit installer

Component Location Guide



Drive Frame & Related Components

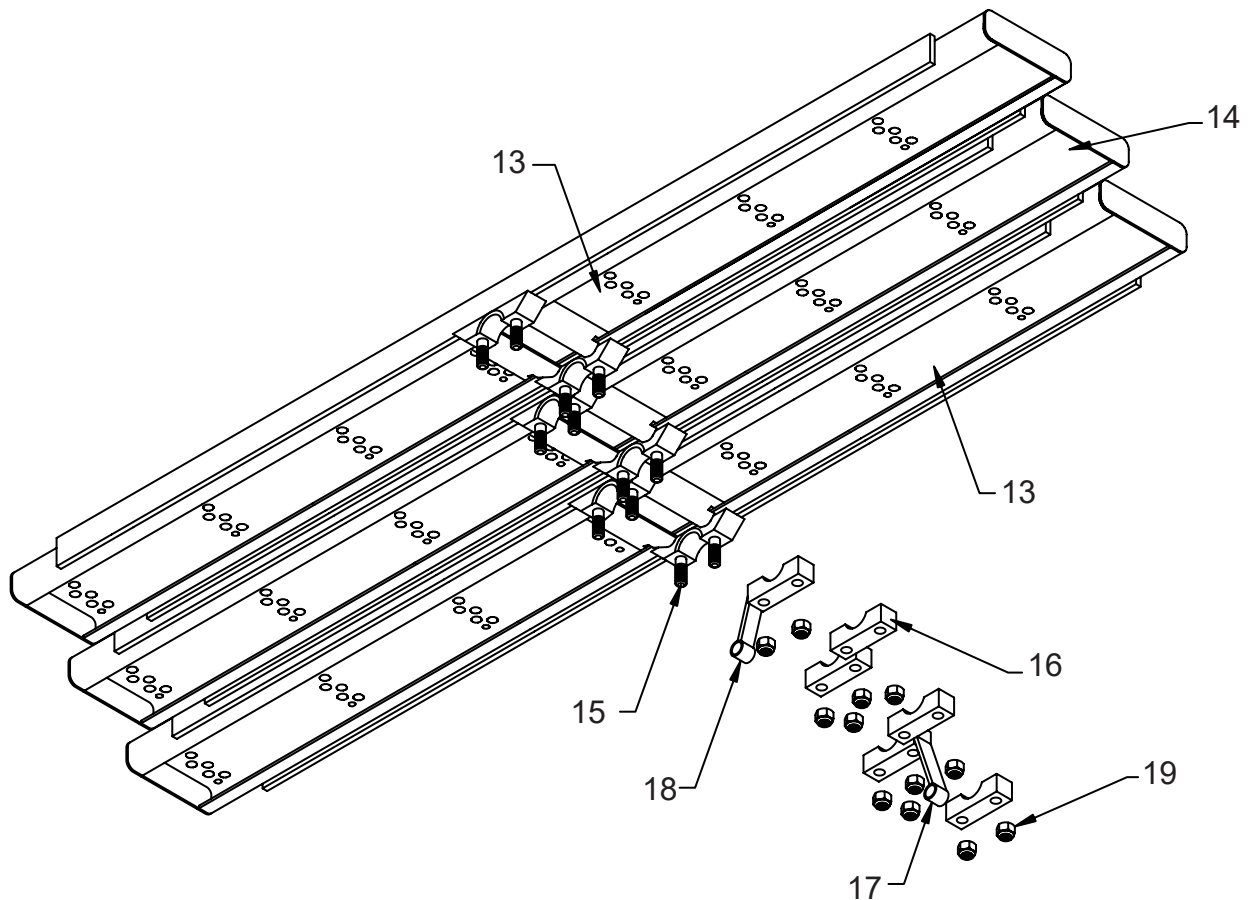


Drive Frame & Related Components

ID #	Qty	Part #	Description
-(¹)	1	-	Drive Frame Assembly (Includes Items 1-6)
1(¹)	1	-	Drive Frame Steel
2	2	03688702	Bearing Cross-Drive Support 3/8" UHMW
3	20	86528000	Rivet 3/16"x1/2"
4	2	03942801	Truss Bolt Tube
5	16	86450000	Bolt Hex GR8 1/2"x1 1/2"
6	16	86629500	Nut Hex Nylock 1/2"

(¹) Parts numbers and descriptions vary based on drive configuration and application.

Cross-Drive Assembly

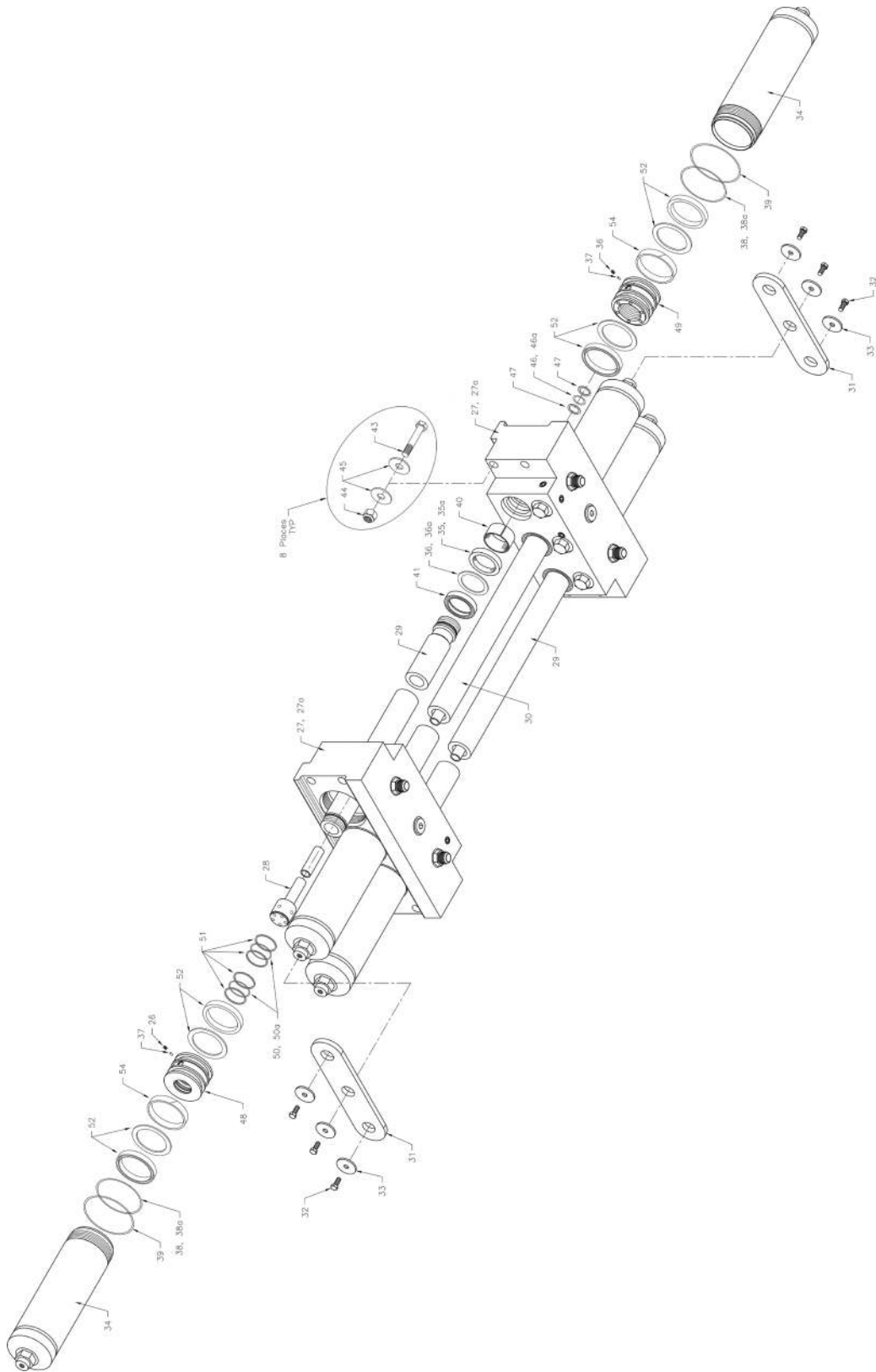


Cross-Drive Assembly

ID #	Qty	Part #	Description
-(¹)	-	04007101	Cross-Drive 24 Slat Set Standard Shoe (Includes Items 13-14)
13(¹)	2	04007102	Cross-Drive 24 Slat #1 & #3 Standard Shoe
14(¹)	1	04007103	Cross-Drive 24 Slat #2 Standard Shoe
15	12	04191301	Bolt Stud 3/4" Cross-Drive
16	4	04047401	Clamp Lower Cross-Drive
17	1	04047702	Clamp Lower Cross-Drive SWV Actuator Right
18	1	04047701	Clamp Lower Cross-Drive SWV Actuator Left
19	12	86632500	Nut Hex Nylock 3/4"

(¹) Parts numbers and descriptions vary based on drive configuration and application.

Cylinder Assembly

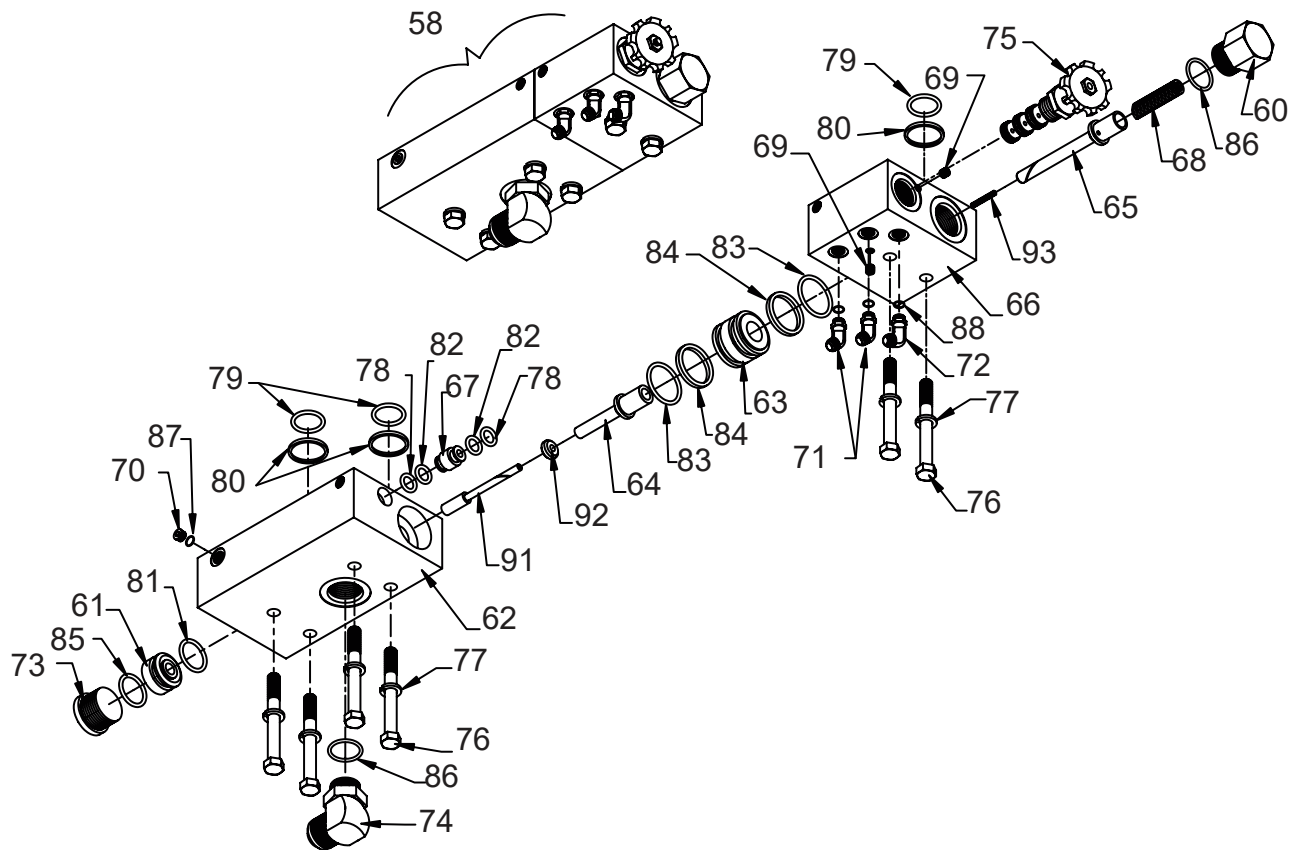


Cylinder Assembly

ID #	Qty	Part #	Description
25	1	04624702	Cylinder 3.0" Assembly (Diesel or Hydraulic) (Includes Items 26-58)
26	6	84680770	1/16" NPT Plug
27	2	04623901	Manifold W/Check Valve Assy.
28	3	03935401	Inner Tube Assembly Double End
29	2	03938401	Rod Cylinder #1 & #3
30	1	03938402	Rod Cylinder #1 & #3
31	2	03952001	Barrel Alignment Plate
32	6	86437000	Bolt Hex GR5 3/8" x 3/4"
33	6	86553500	Washer Large OD 3/8"
34	6	03943601	Barrel 3.0" Weld Assembly
35	6	84354200	Seal Rod Cylinder 45mm
36	6	84354220	Seal Backup Rod Cylinder 45mm
37	6	86650400	Pin Drive Lock 3/16" x 1/2"
38	6	84384560	O-Ring 235 Viton
39	6	84378452	O-Ring 152 Buna 90
40	6	84401100	Wear Ring Rod Cylinder 45mm
41	6	84426600	Wiper Rod 45mm Canned
43	8	86471500	Bolt Hex GR8 5/8" x 5 1/2"
44	8	86631500	Nut Hex Nylock 5/8"
45	16	86558000	Washer Flat 5/8"
-	3	04216801	-
-	3	-	04190301
-	3	-	04190301
46	1	-	84380210
47	2	-	84390600
48	1	04591501	-
49	1	-	04591601
50	2	84378427	-
51	4	84389028	-
52	4	84353600	Seal Piston Cylinder 3.0" w/Backup
54	2	84404600	Wear Ring Piston 3.0"
55	10	84387300	O-Ring 910 Viton
56	6	84387410	O-Ring 912 Viton (3-912 V1412-90)
57	2	84381700	O-Ring 214 Viton
58	2	84427000	Wiper 1" Spool Control Valve D-01.000 (DM-1000U2145)
- ⁽¹⁾	1	04048501	Seal Kit 3.0" Cylinder (Includes 26, 35-41, 46-47, 50-58)

⁽¹⁾ Seal kit includes all necessary items required to rebuild the entire cylinder. It does not include items such as the rod or piston.

Load End Control Block



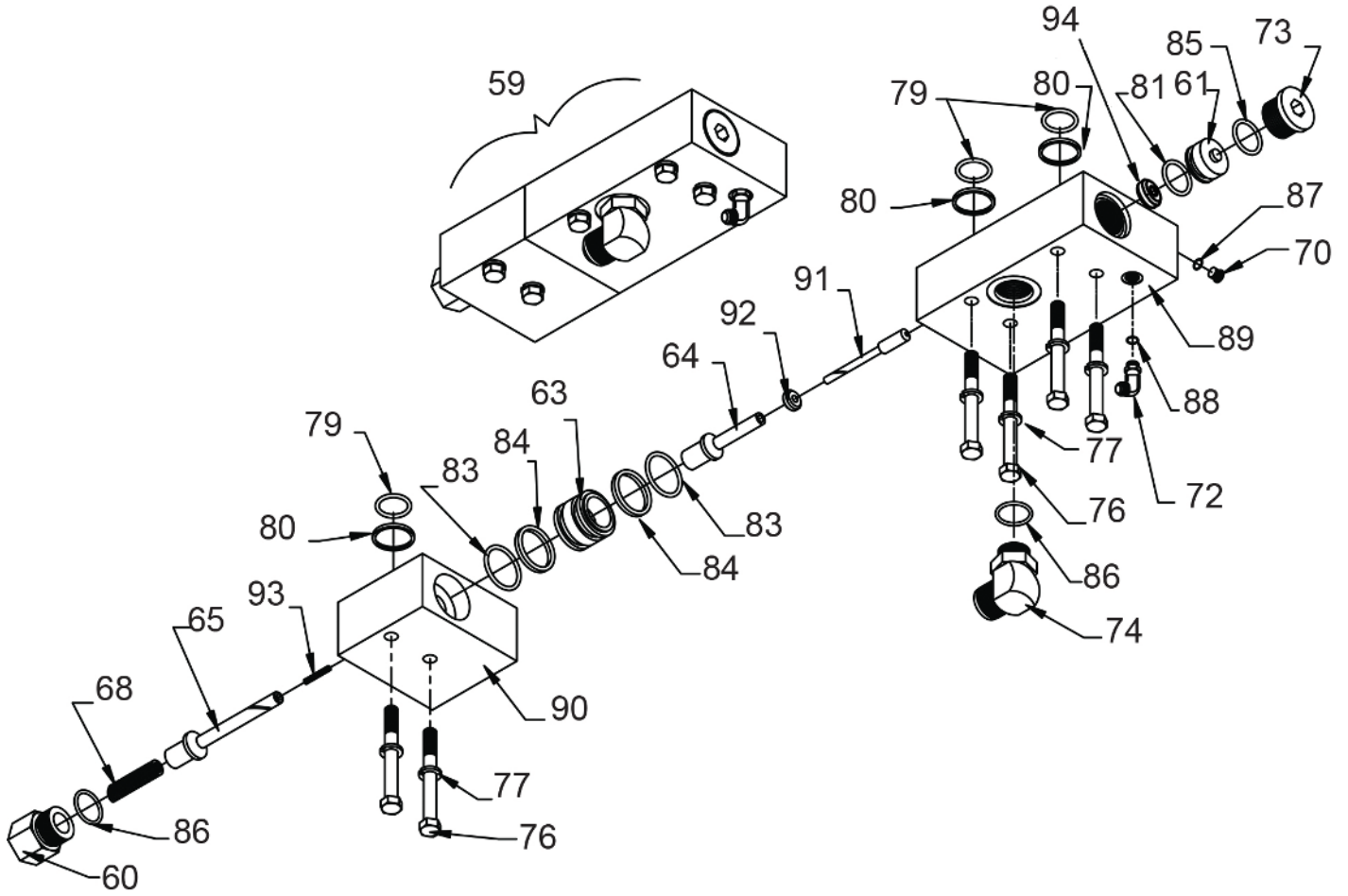
Load End Control Block

ID #	Qty	Part #	Description
58	1	03946401	Block Assembly Load End Control (Includes Items 60-88 & 91-93)
60	1	02702301	End Cap - 12 Spring Pilot Operated
61	1	03502101	Piston Pilot Check Valve Block
62	1	03933201	Body Block Control Load End Long
63	1	03933501	Carrier Large O-Ring
64	1	04492201	Poppet Half Check Valve Block Long Control
65	1	03933901	Poppet Check Valve Block Short Control
66	1	03939501	Body Block Control Load End Short
67	1	04054901	Carrier Small O-Ring
68	1	84453400	Spring Check Valve External Large #B-18273

Load End Control Block

ID #	Qty	Part #	Description
69	2	84680770	1/16" Pipe Plug Socket 7/8" Taper
70	1	84687300	6409-04 M O-Ring Socket Plug
71	2	84691890	6802-04-04 45
72	1	84691000	6801-06-04 90
73	1	84687800	6409-14 M O-Ring Socket Plug
74	1	84691500	6801-12-12 90
75	1	85105200	Control Valve Manual Vickers MRV4-10-K-0
76	6	86441500	Bolt Hex GR5 3/8"x2 3/4"
77	6	86555000	Washer Lock 3/8"
-	1	04015801	Seal Kit Block Control Load End (Includes Items 78-88)
78	2	84378690	O-Ring 204
79	3	84381000	O-Ring 212 Urethane
80	3	02100801	O-Ring Backup 8-212
81	1	84380400	O-Ring 210 Urethane
82	2	84389600	O-Ring Backup 8-204
83	2	84382800	O-Ring 218
84	2	84392000	O-Ring Backup 8-218
85	1	84387600	O-Ring 914
86	2	84387400	O-Ring 912
87	1	84386800	O-Ring 906
88	3	84386600	O-Ring 904
91	1	04492301	Poppet Long Check Valve Restrictor
92	1	04492401	Restrictor Valve Collar 5/8"
93	1	84450200	Spring Check Valve Small

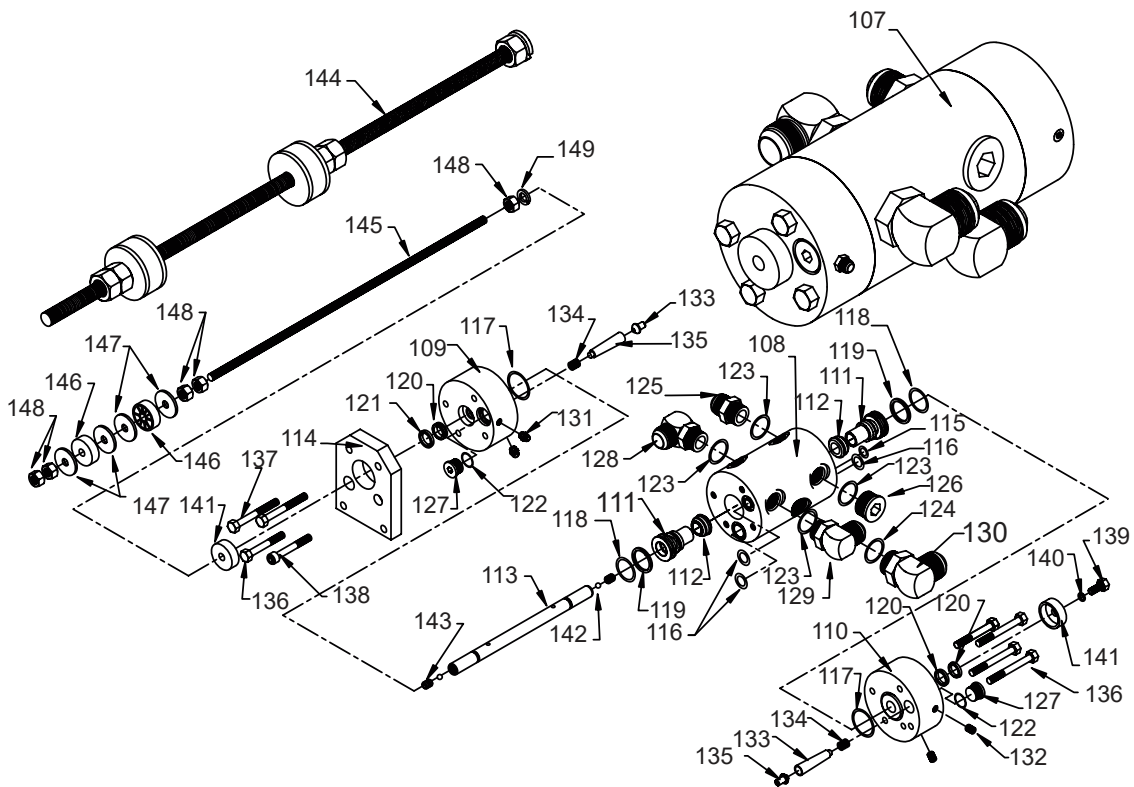
Discharge End Control Block



Discharge End Control Block

ID #	Qty	Part #	Description
59	1	03946501	Block Assembly Discharge End Control (Includes 60, 61, 63-65, 68, 70, 72-74, 76, 77, 79-81,83-93)
60	1	02702301	End Cap -12 Spring Pilot Operated
61	1	03502101	Piston Pilot Check Valve Block
63	1	03933501	Carrier Large O-Ring
64	1	04492201	Poppet Half Check Valve Block Long Control
65	1	03933901	Poppet Check Valve Block Short Control
68	1	84453400	Spring Check Valve External Large B-18273
70	1	84687300	6409-04 M O-Ring Socket Plug
72	1	84691000	6801-06-04 90
73	1	84687800	6409-14 M O-Ring Socket Plug
74	1	84691500	6801-12-12 90
76	6	86441500	Bolt Hex GR5 3/8"x2 3/4"
77	6	86555000	Washer Lock 3/8"
-	1	04015901	Seal Kit Block Control Discharge End (Includes Items 79-81, 83-88)
79	3	84381000	O-Ring 212 Urethane
80	3	02100801	O-Ring Backup 8-212
81	1	84380400	O-Ring 210 Urethane
83	2	84382800	O-Ring 218
84	2	84392000	O-Ring Backup 8-218
85	1	84387600	O-Ring 914
86	2	84387400	O-Ring 912
87	1	84386800	O-Ring 906
88	1	84386600	O-Ring 904
89	1	03933301	Body Block Control Discharge End Long
90	1	03933401	Body Block Control Discharge End Short
91	1	04492301	Poppet Long Check Valve Restrictor
92	1	04492401	Restrictor Valve Collar 5/8"
93	1	84450200	Spring Check Valve Small
94	1	04492401	5/8" Restrictor Donut

Switching Valve Assembly



Switching Valve Assembly

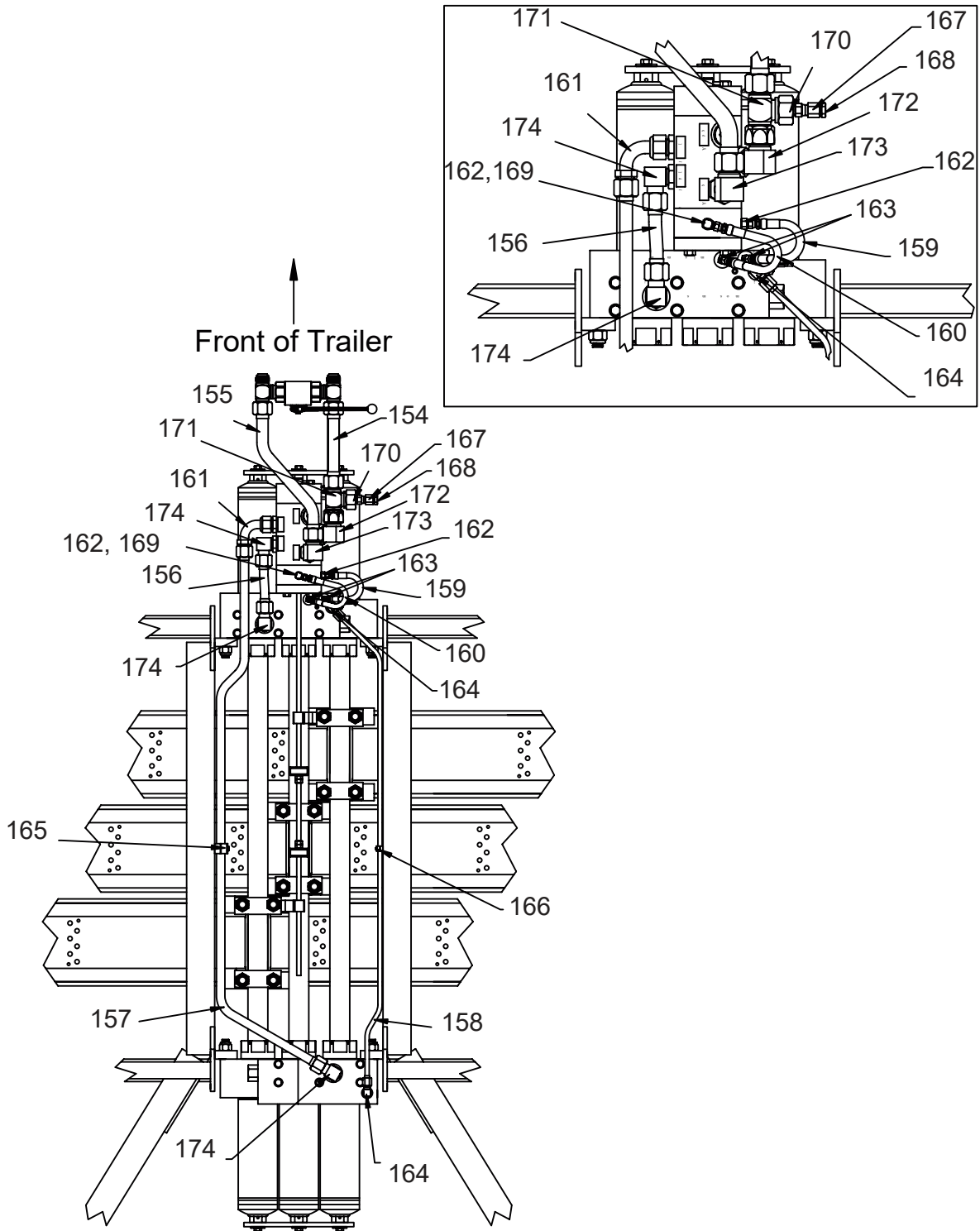
ID #	Qty	Part #	Description
107	1	04201501	Switching Valve Assembly (Includes Items 108-143)
108	1	04504601	Body Switching Valve
109	1	04504701	End Cap Right Switching Valve
110	1	04504801	End Cap Left Switching Valve
111	2	03718901	Poppet Switching Valve
112	2	03718801	Ring Poppet Switching Valve
113	1	01335501	Rod Control Switching Valve
114	1	03943101	Plate Mount Aluminum Switching Valve

Switching Valve Assembly

ID #	Qty	Part #	Description
-(¹)	1	04323701	Seal Kit Switching Valve (Includes items 115-124)
115	1	84376200	O-Ring 111
116	3	84377200	O-Ring 117 Urethane
117	2	84378200	O-Ring 126
118	2	84382200	O-Ring 216
119	2	84391600	O-Ring Backup 8-216
120	2	84352200	Seal Rod 5/8"
121	2	84426800	Wiper 5/8" Rod
122	2	84387000	O-Ring 908
123	4	84387400	O-Ring 912
124	1	84387800	O-Ring 916
125	1	84685000	6400-12-12 Straight
126	1	84687700	6409-12 M O-Ring Socket Plug
127	2	84687500	6409-08 M O-Ring Socket Plug
128	1	84691500	6801-12-12 90
129	1	84691700	6801-16-12 90
130	1	84691800	6801-16-16 90
131	2	84673400	2404-04-02 Straight
132	2	84680780	1/8" Pipe Plug Socket 7/8" Taper
133	2	04502701	Pilot Filter Seat
134	2	84451750	Spring S157
135	2	84012700	Filter Element CF0563-46
136	5	86441000	Bolt Hex GR5 3/8"x2 1/2"
137	2	86442500	Bolt Hex GR5 3/8"x3-1/4"
138	1	86441550	Bolt Socket Head GR5 3/8"x2 3/4"
139	1	86437000	Bolt Hex GR5 3/8"x3/4"
140	1	86555000	Washer Lock 3/8"
141	2	02552101	Cap Limit Switching Valve
142	2	84800500	Ball 5/16" Chrome Steel
143	2	86435500	Set Screw 3/8"x3/8" Half Dog
144	1	04201401	Rod Threaded Assembly Switching Valve (Includes Items 145-149)
145	1	86603500	Threaded Rod 3/8"x36"
146	2	83217500	Switching Valve Grommet
147	4	86553500	Washer Large OD 3/8"
148	5	86628500	Nut Hex 3/8"
149	1	86555000	Washer Lock 3/8"

(¹) Parts numbers and descriptions vary based on drive configuration and application.

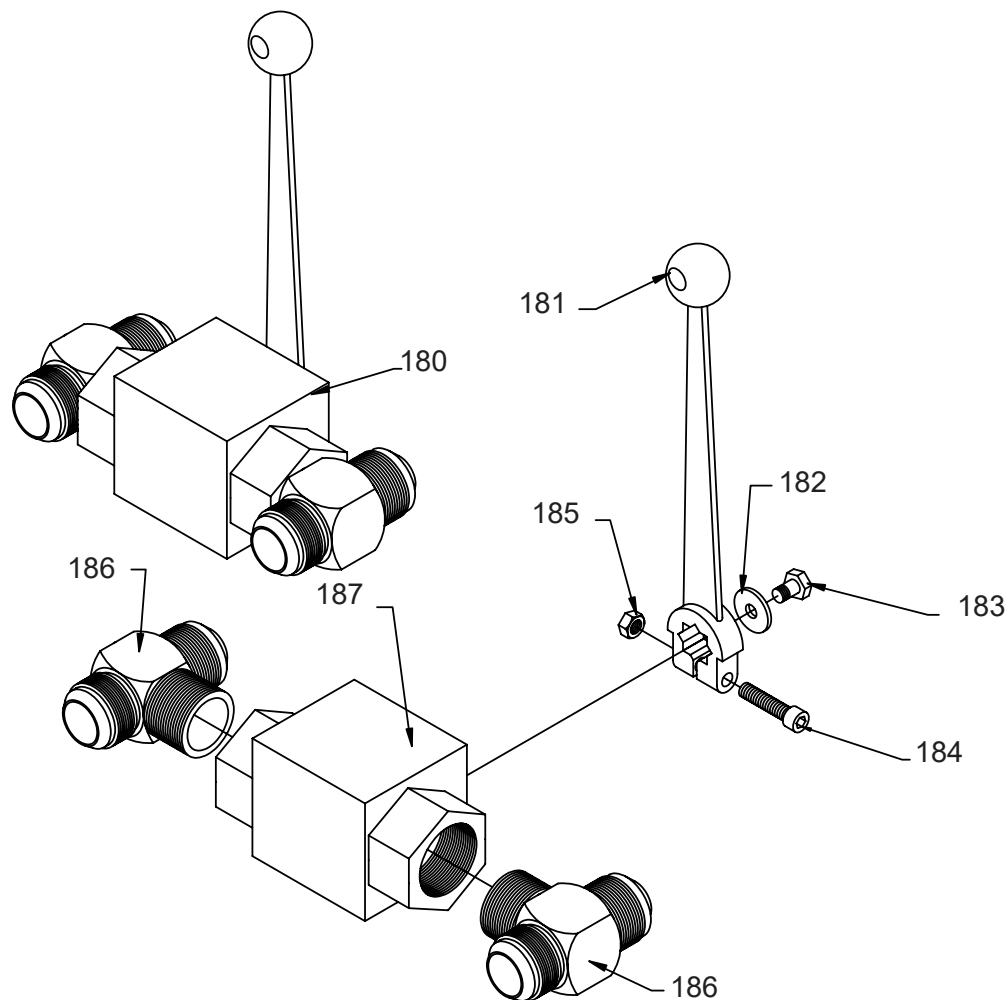
Hydraulic Tubes and Fittings



Hydraulic Tubes & Fittings

ID #	Qty	Part #	DESCRIPTION
-	-	-	Hydraulic Tubes & Fittings (Includes Items 154-174)
154	1	04039901	Tube Switching Valve Pressure
155	1	04039801	Tube Switching Valve Return
156	1	04039501	Tube Switching Valve to Load End Manifold
157	1	04039401	Tube Switching Valve to Discharge End Manifold
158	1	04039701	Tube Load End Manifold to Discharge End Manifold
159	1	04039601	Hose Switching Valve to Load End Manifold Pressure
160	1	04039602	Hose Switching Valve to Load End Manifold Return
161	1	84683100	63UA-12-12 Bent Stem 90
162	2	84673400	2404-04-02 Straight
163	2	84691890	6802-04-04 45
164	2	84691100	6801-06-06 90
165	1	84750250	Clamp Hydraulic Tube 3/4"
166	1	84750240	Clamp Hydraulic Tube 3/8"
167	1	84689690	6506-04-06 Straight
168	1	84681160	5406P-04 Plug Hex
169	1	84688560	6500-04-04 90
170	1	84676100	2406-16-04 Straight
171	1	84690400	6602-16-16-16 Tee
172	1	84691800	6801-16-16 90
173	1	84691700	6801-16-12 90
174	3	84691500	6801-12-12 90

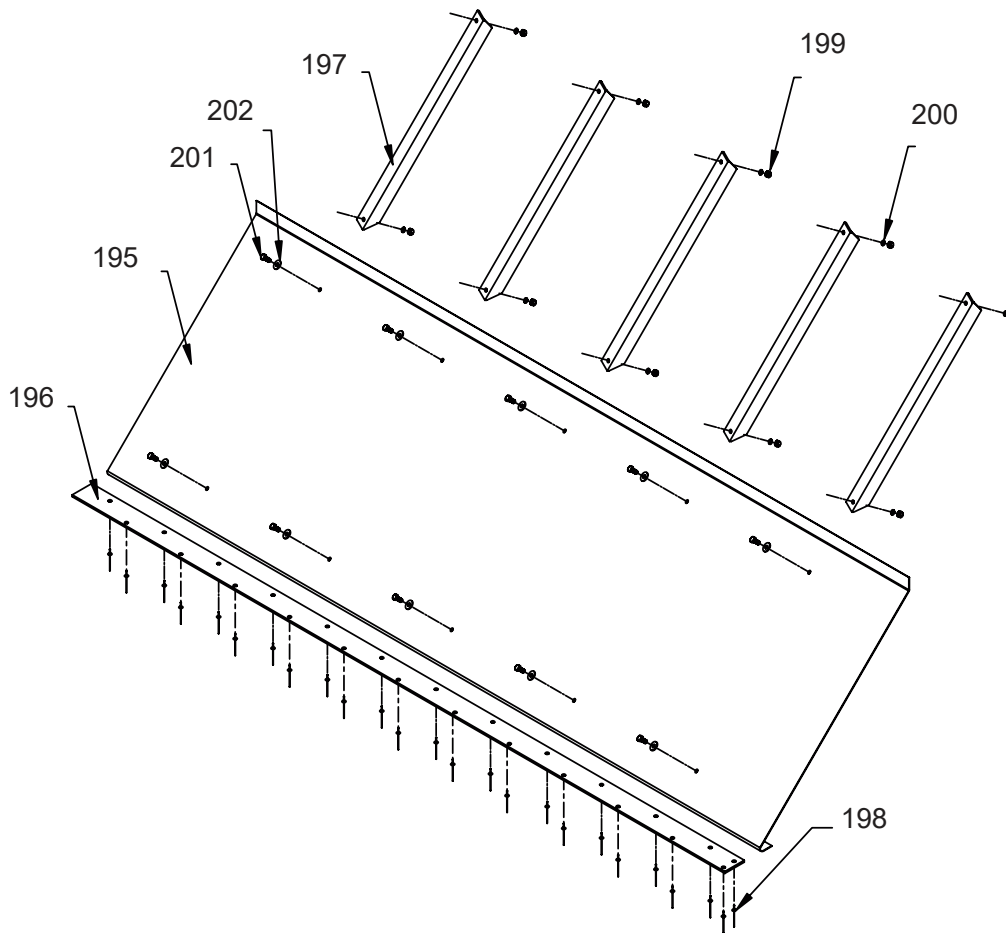
Ball Valve Assembly



Ball Valve Assembly

ID #	Qty	Part #	Description
180	1	84802600	Ball Valve 1" W/ Tees & Handle (Includes items 181-187)
181	1	84802900	Handle Ball Valve
182	1	w/ball valve	Washer Flat 6mm
183	1	w/ball valve	Bolt Hex GR8 6mmx1mmx10mm
184	1	w/handle	Bolt Socket Head GR8 6mmx1mmx30mm
185	1	w/handle	Nut Hex 6mmx1mm
186	2	84677880	2601-16-16-16 Tee
187	1	84802800	Ball Valve Assembly 1"

Front Shield Assembly



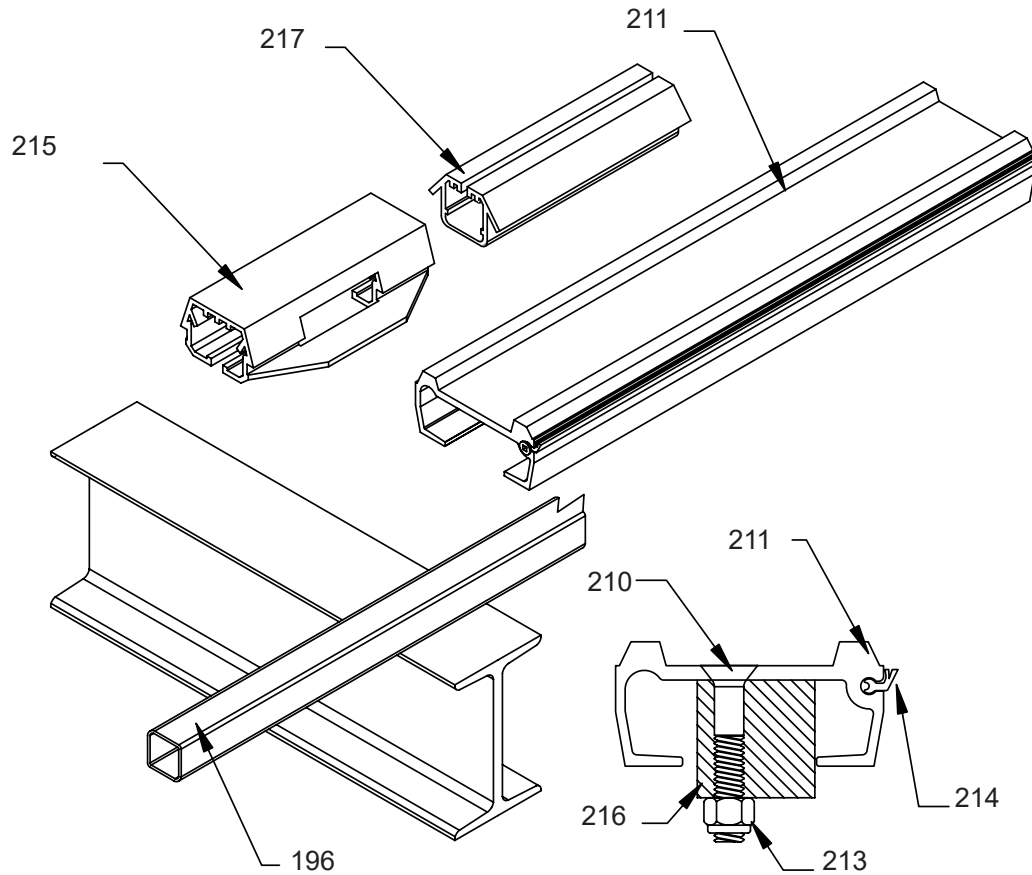
Front Shield Assembly

ID #	Qty	Part #	Description
-(1)	1	03539550	Front Shield 96" Wide Assembly (Includes Items 195-202)
195 ⁽¹⁾	1	03539750	Front Shield 96" Wide 14 Gauge
196 ⁽¹⁾	1	03540150	Bearing Strip Front Shield 1/4"x2 7/8"
197	5	03539901	Stiffener Angle Front Shield 1 1/2"x1 1/2"x3/16"
198 ⁽²⁾	25	86528000	Rivet 3/16"x1/2"
199	10	86628500	Nut Hex 3/8"
200	10	86555000	Washer Lock 3/8"
201	10	86437000	Bolt Hex GR5 3/8"x3/4"
202	10	86553500	Washer Large OD 3/8"

⁽¹⁾ Parts numbers and descriptions vary based on trailer width and application.

⁽²⁾ Quantity varies based on trailer width and application

Floor Components



Floor Components

ID #	Qty	Part #	DESCRIPTION
-	-	-	Floor Components (Includes Items 210-217)
210 ⁽¹⁾	-	87406000	Bolt Hex GR5 5/16"x2 1/4"
211 ⁽¹⁾	-	8222950000*	Slat 3.5" 1914 1/2" Impact AE Series 1212
212 ⁽¹⁾	-	80300200	Subdeck 1"x1"x.063"x20' Steel Tube
213 ⁽¹⁾	-	86627500	Nut Hex Nylock 5/16"
214 ⁽¹⁾	-	83121200	Seal Floor Bent "Y"
215 ⁽¹⁾	-	00300301	Bearing 3.5" Floor Slat
216 ⁽¹⁾	-	-	Drive Shoe
217 ⁽¹⁾	-	00300401	Bearing Hold Down 3.5" Floor Slat

⁽¹⁾ Parts numbers and descriptions vary based on application.

* The last four digits in a ten digit part number refers to length in feet and inches (Example 8222954305 is 43'05" long)